

# BIASI

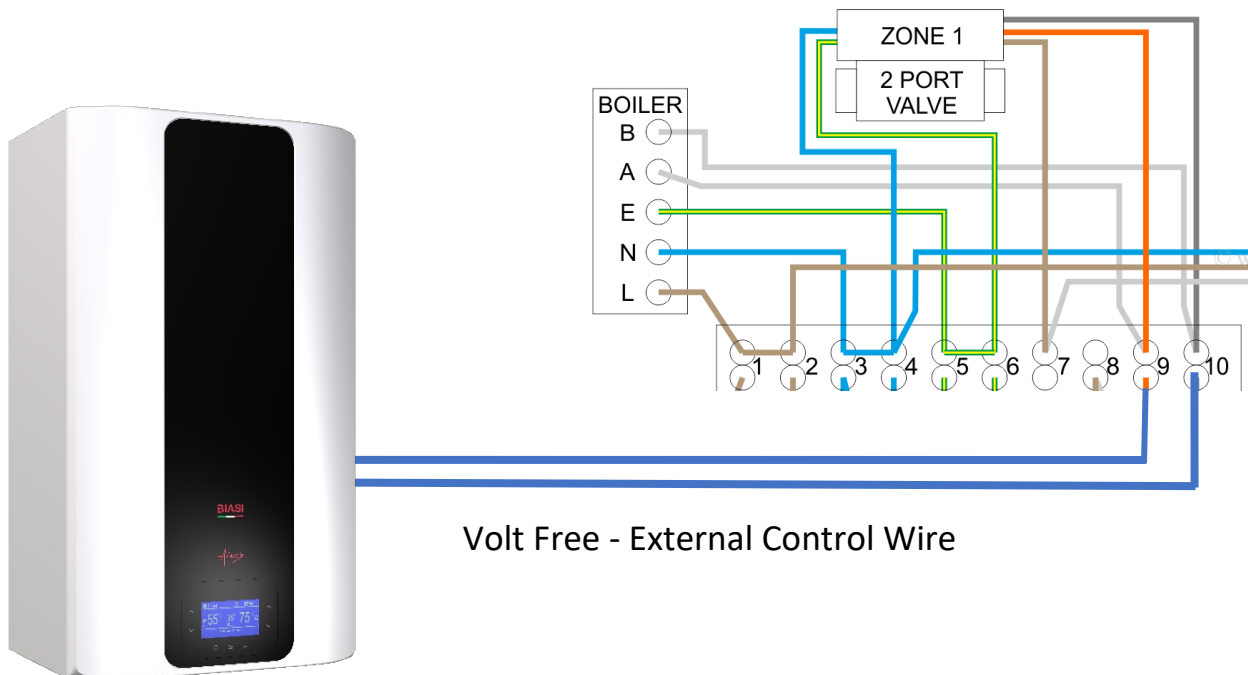
## Bascia / Dina / RinNova / Antares :

### System Boiler: Volt Free Wiring

Biasi Basica / Dina / RinNova and Antares System Boiler: External controls are wired to the wiring centre but will need a volt free connection...please follow the diagram below:

#### Biasi Basica / Dina / RinNova and Antares System Boiler to 2 Port Zone Valve

Simply connect the volt free wires from the boiler to the orange and grey in the wiring centre (**DO NOT ADD A LIVE TO THE GREY**)



- Grey – Volt Free Common
- Orange – Volt free Switch Live