



Spare Parts List

DINA

M280C.2025 SM 47–583–58

M280C.2530 SM 47–583–59

M280C.3035 SM 47–583–60

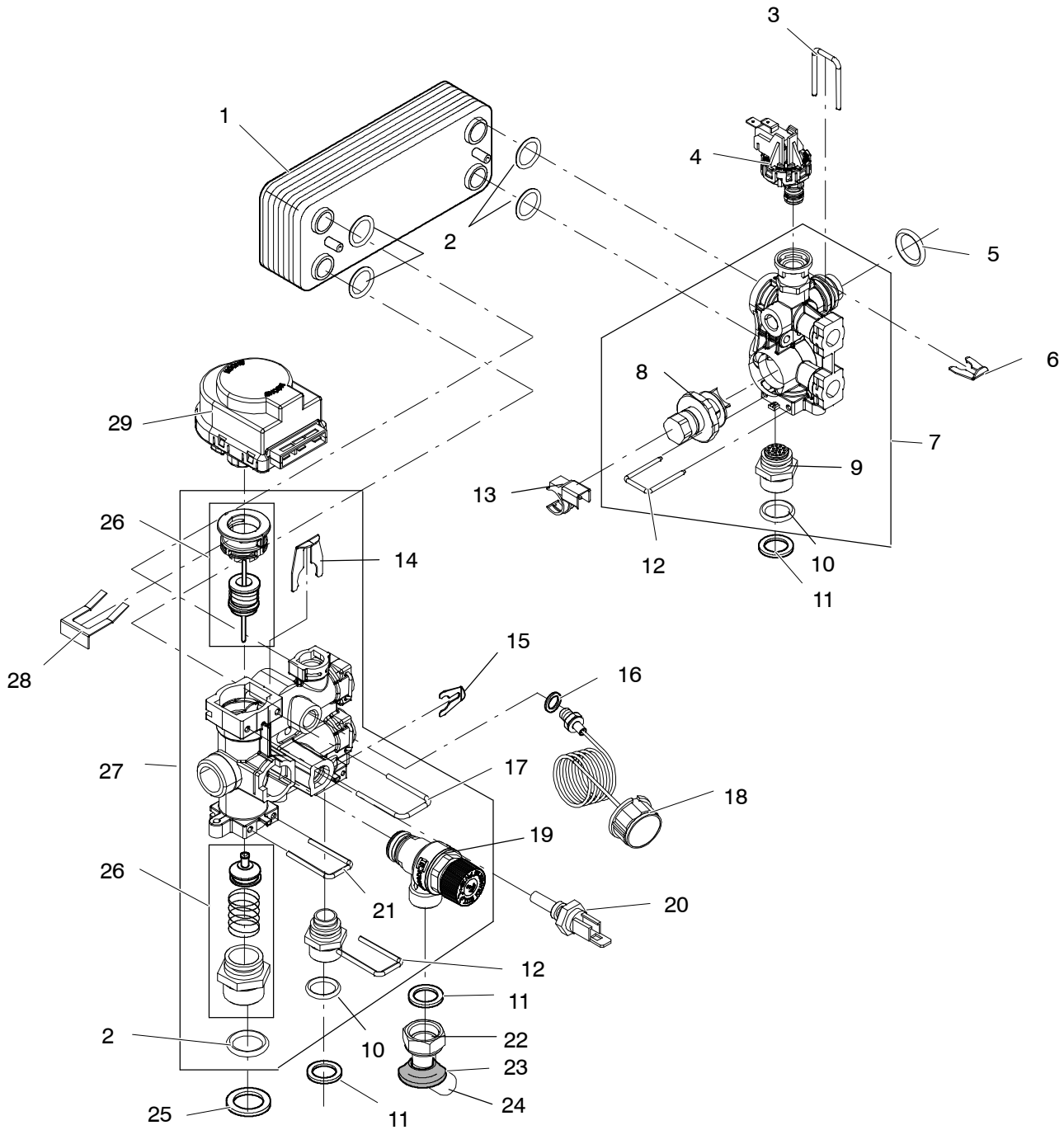
Issue 10/2025

Table description	Issue	n. of pages
Overall view	10/2025	1
C.h. return–flow group and d.h.w. heat exchanger	10/2025	1
Pump and main circuit assembly – combi	10/2025	1
Gas assembly	10/2025	1
Valves and connection pipes combi	10/2025	1
Control panel and ignition device	10/2025	1
Wiring combi	10/2025	1
Fan, combustion chamber and case panels	10/2025	1
List of parts combi	10/2025	5

M280C.2025 SM
M280C.2530 SM
M280C.3035 SM

47-583-58
47-583-59
47-583-60

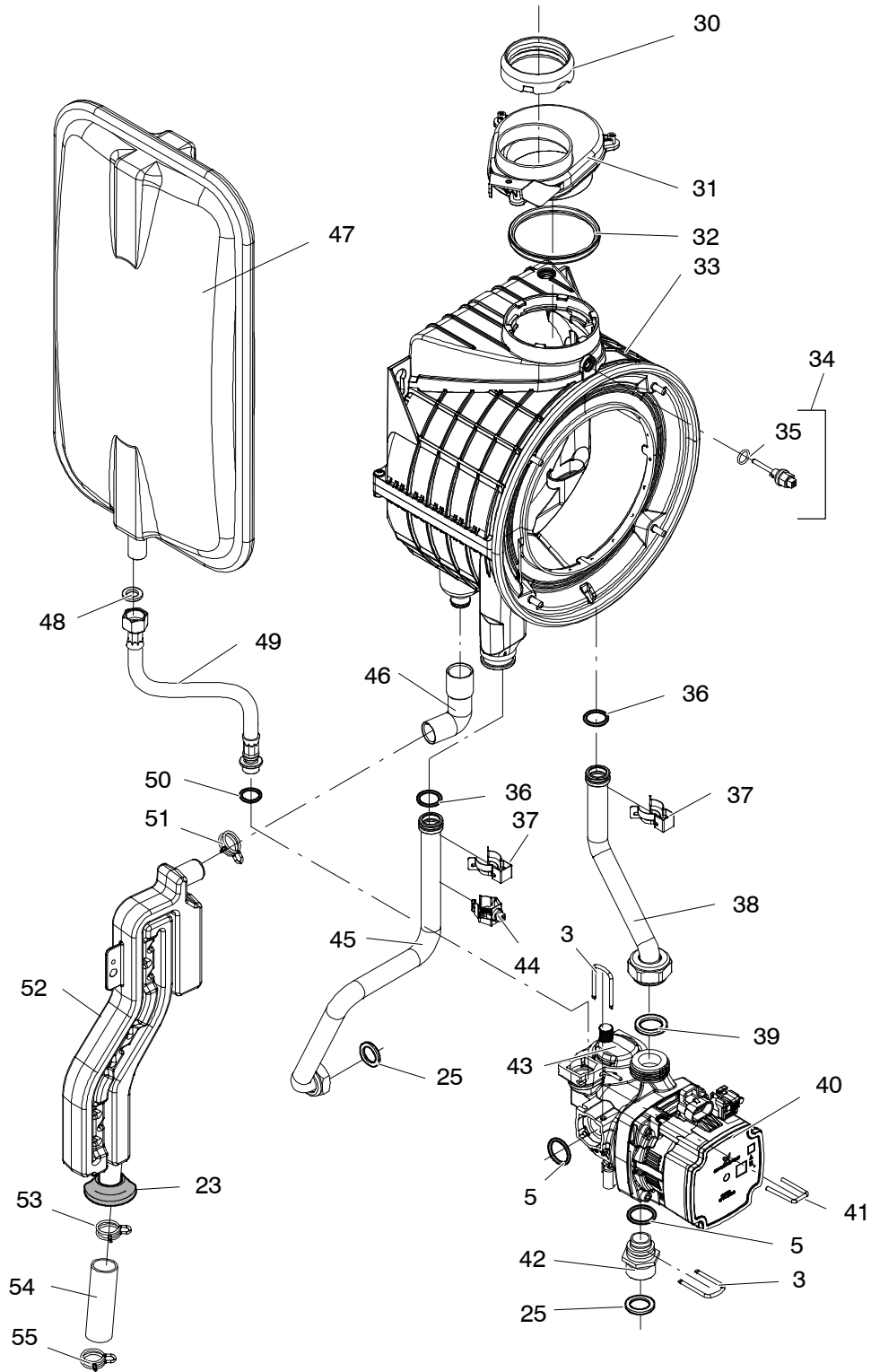
C.h. flow-return group and d.h.w. heat exchanger



M280C.2025 SM
M280C.2530 SM
M280C.3035 SM

47-583-58
47-583-59
47-583-60

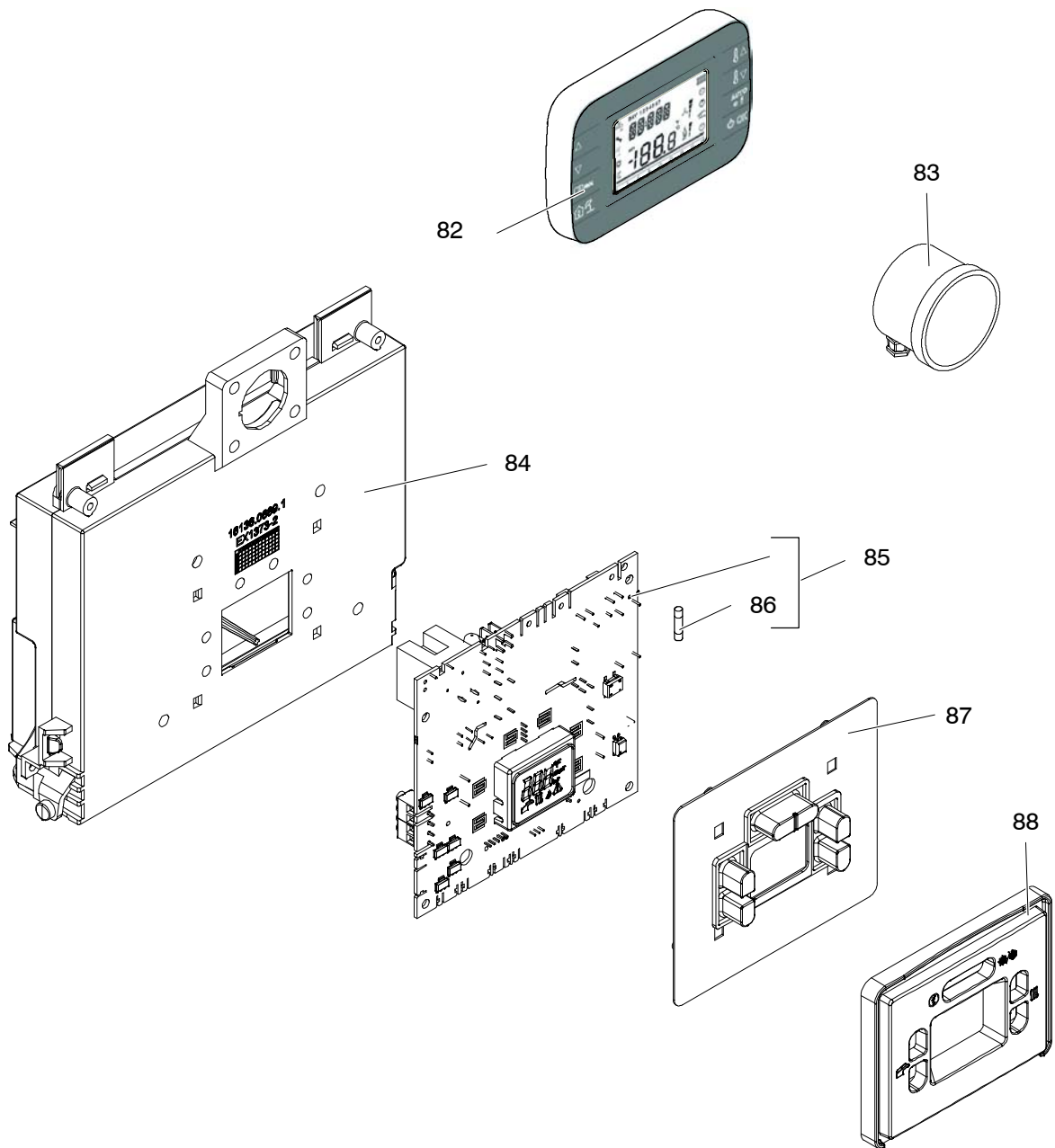
Pump and main circuit assembly



M280C.2025 SM
M280C.2530 SM
M280C.3035 SM

47-583-58
47-583-59
47-583-60

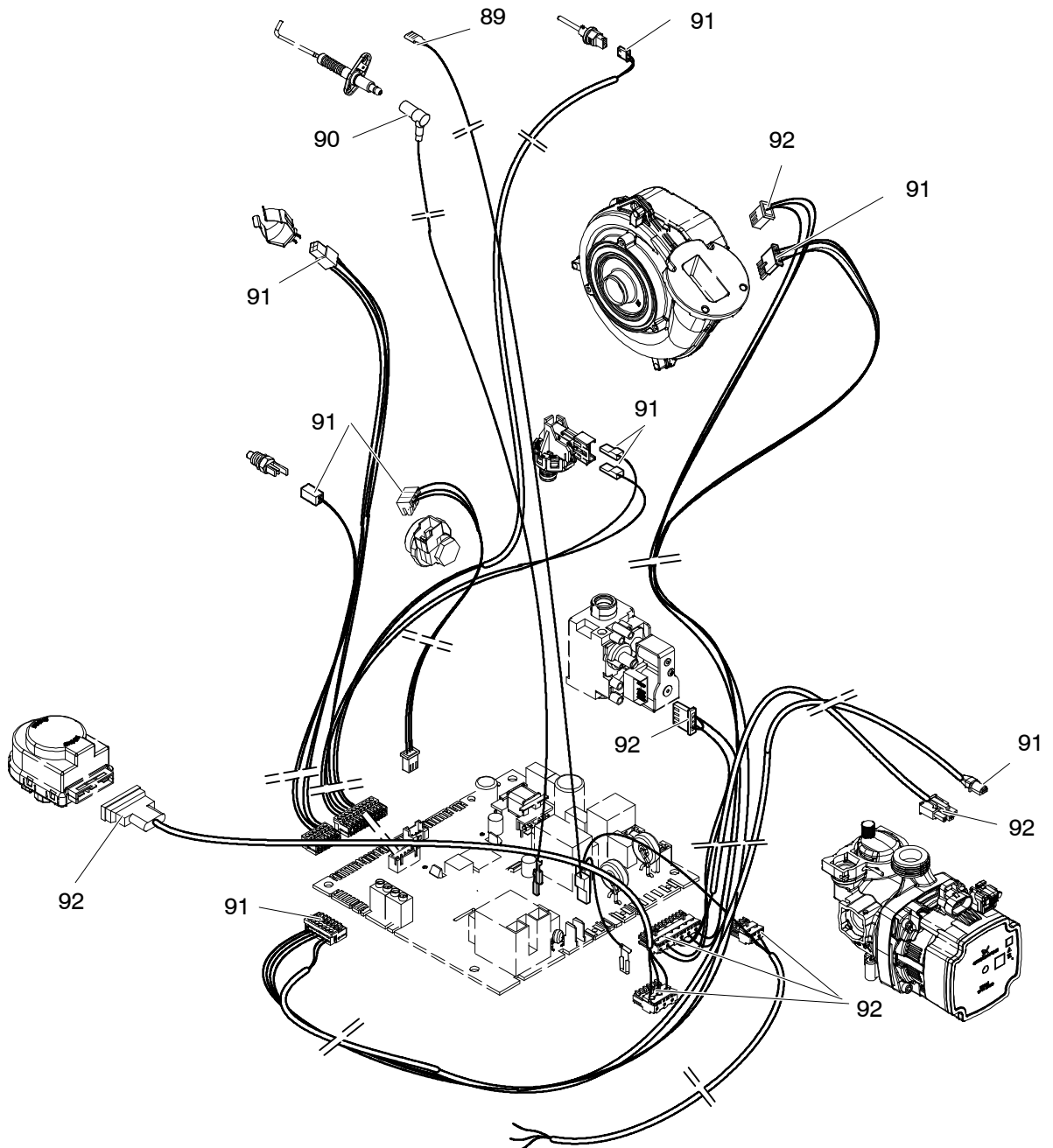
Control panel and ignition device



M280C.2025 SM
M280C.2530 SM
M280C.3035 SM

47-583-58
47-583-59
47-583-60

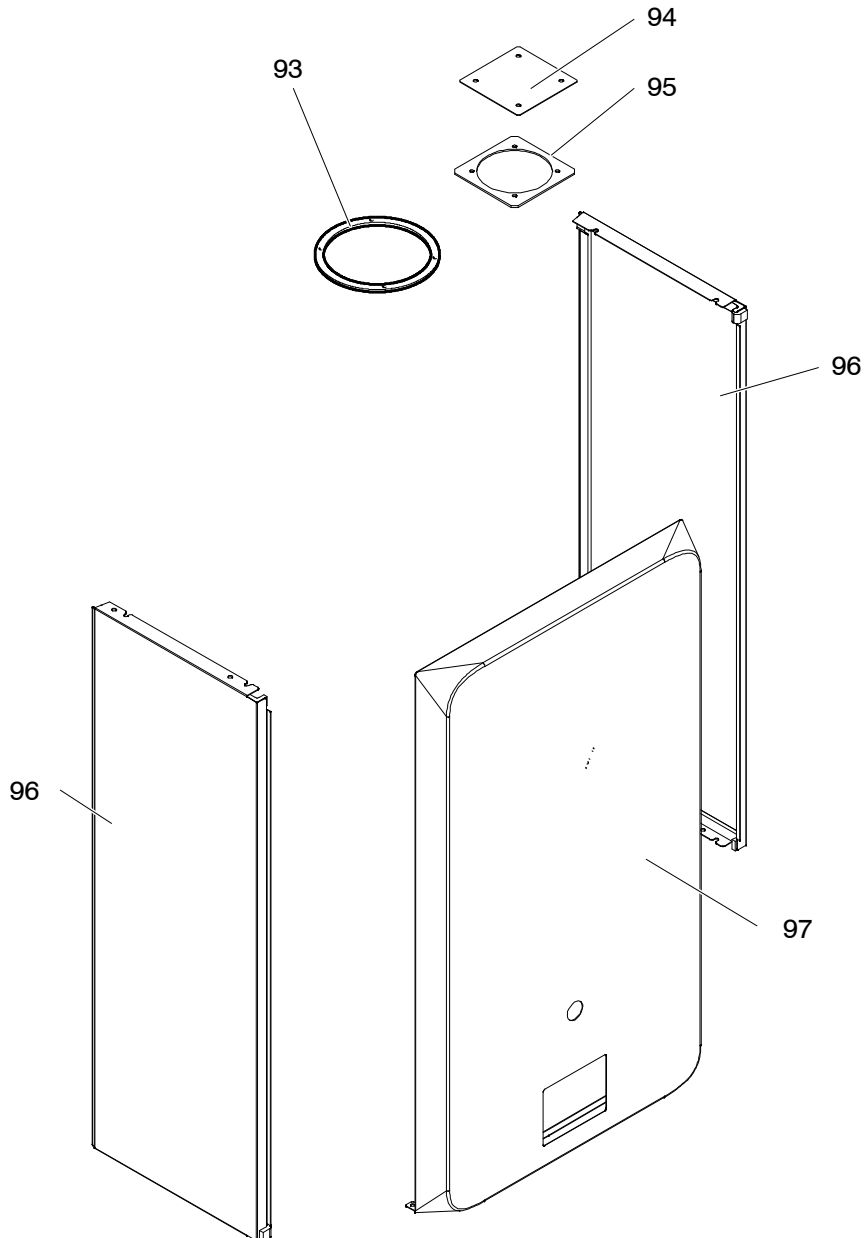
Wiring system



M280C.2025 SM
M280C.2530 SM
M280C.3035 SM

47-583-58
47-583-59
47-583-60

Sealed chamber and case panels



DRAFT BRITISH GAS PART LIST

Date _____
 Sheet 1 of 5
 Manufacturer Biasi SpA – Italy
 Appliance(s) M280C.2025 SM M280C.2530 SM M280C.3035 SM
 GC Appliance Number(s) 47–583–58 47–583–59 47–583–60
 Contract Name _____
 Telephone Number _____

(a)	(b)	(c)	(d)	(e)	(f)	(g)	(h)	(i)	(j)	(k)
Key no.	GC Part Number	Description	No. Off	Makers part number which have a CG number	Maker's old part number which have since been changed	Maker's new part number which DO NOT have a GC number	M B F	Original Supplier	Original Supplier part number	Retail price excl. VAT
		Position of data badge: frame, inner lower side								
		Instructions booklets set	1			BI1913 563	M			
1		Exchanger DHW – M280C.2025 SM	1			BI1951 100	M			
1	A	Exchanger DHW – M280C.2530 SM, M280C.3035 SM	1			BI1951 101	M			
2	169–060	O–ring gasket 18,64x3,53	4	KI1043 144			M			
3		Fork P21,5	2			BI2011 106	M			
4	H74–545	Primary circuit pressure switch	1	BI1351 118			M			
5		O–ring gasket 3,53x18,64	2			BI1621 102	M			
6		Fork	1			BI1951 103	M			
7		Return group kit – M280C.2025 SM	1			BI1951 122	M			
7	A	Return group kit – M280C.2530 SM, M280C.3035 SM	1			BI1951 123	M			
8		Magnetic flow switch	1			BI1951 107	M			
9		Threaded connection DHW with Filter	1			BI1951 105	M			
10		O–ring gasket 2x18 EPDM 70 SHORE	2			BI1951 106	M			
11	169–141	Flat gasket 1/2"	3	BI1001 106			M			
12		Fork P21 Ø 2,5	1			BI1951 108	M			
13		D.h.w. flow switch	1			BI1951 110	M			
14	H20–987	Safety valve connection fork	1	BI1262 116			M			
15		Fork	1			BI1951 111	M			
16		Flat gasket 1/4 EPDM	1			BI1951 120	M			
17		Fork P27,5 Ø 3	1			BI1951 112	M			
18		Pressure gauge	1			BI1951 113	M			
19		Safety valve 3 bar	1			BI1621 101	B		3 bar	
20		Temperature probe NTC d.h.w.	1			BI1951 115	M			
21		Fork P21 Ø 3	1			BI1951 116	M			

CONTINUATION SHEET

Sheet 2 of 5

Appliance number(s) 47-583-58 47-583-59 47-583-60

(a)	(b)	(c)	(d)	(e)	(f)	(g)	(h)	(i)	(j)	(k)
Key no.	GC Part Number	Description	No. Off	Makers part number which have a CG number	Maker's old part number which have since been changed	Maker's new part number which DO NOT have a GC number	M B F	Original Supplier	Original Supplier part number	Retail price excl. VAT
22	E01-226	Nut 1/2"	1	BI1004 101			M			
23	169-104	Grommet	1	BI1002 113			M			
24		Safety valve connection pipe	1			BI1951 125	M			
25	169-033	Flat gasket 3/4"	7	BI1001 108			M			
26		Diverter valve kit	1			BI1951 118	M			
27		Flow group kit c.h.	1			BI1951 124	M			
28		Diverter valve actuator fixing spring	1			BI1101 101	M			
29		Diverter valve actuator	1			BI1801 102	M			
30	H74-575	Flue outlet gasket	1	BI1536 101			M			
31		Flue outlet adaptor	1			BI1552 101	M			
32		Flue outlet lip gasket	1			BI2262 105	M			
33		Condensing heat exchanger - M280C.2025 SM	1			BI2262 100	M			
33 A		Condensing heat exchanger - M280C.2530 SM, M280C.3035 SM	1			BI2262 101	M			
34		Safety thermal fuse	1			BI2262 114	M			
35	H50-475	O-ring gasket 1,78x10,82	1	BI1181 110			M			
36	H20-970	O-ring gasket 2,62x17,86 EPDM	2	BI1262 112			M			
37	H58-664	Condensing heat exchanger connection clip	2	BI1432 106			M			
38		Condensing heat exchanger inlet pipe	1			BI2262 116	M			
39		Flat gasket 1"	1			BI1001 105	M			
40		Pump	1			BI2262 106	M	GRUNDFOS	UPM4 15-75 CAOD	
41		Expansion vessel connection fork	1			BI2262 107	M			
42		Threaded connection c.h.	1			BI2112 105	M			
43	H20-986	Automatic air purge valve	1	BI1212 107			M			
44		Flow temp. probe and overheat thermostat	1			BI1442 117	M			

CONTINUATION SHEET

Sheet 3 of 5

Appliance number(s) 47-583-58 47-583-59 47-583-60

(a)	(b)	(c)	(d)	(e)	(f)	(g)	(h)	(i)	(j)	(k)
Key no.	GC Part Number	Description	No. Off	Makers part number which have a CG number	Maker's old part number which have since been changed	Maker's new part number which DO NOT have a GC number	M B F	Original Supplier	Original Supplier part number	Retail price excl. VAT
45		Condensing heat exchanger outlet pipe	1			BI2262 117	M			
46		Condensate discharge pipe	1			BI2262 118	M			
47		Expansion vessel	1			BI1462 100	B	Zilmet – Italy	13S0000706	
48	H03-727	Flat gasket 3/8" O.D 15 mm, i.d. 8.5 mm	1	BI1202 105			M			
49		Expansion vessel connection pipe	1			BI2262 115	M			
50		O-ring gasket 3,53X12,29	1			BI1872 111	M			
51		Connection spring	1			BI1262 117	F			
52		Condensate trap	1			BI1782 107	M			
53		Connection spring	1			BI1462 107	F			
54		Condensate connection hose	1			BI2262 113	M			
55		Connection spring	1			BI1282 112	F			
56		Rear combustion chamber insulating panel	1			BI1733 100	M			
57		Front combustion chamber insulating panel	1			BI1733 101	M			
58		Combustion chamber lip gasket	1			BI1733 102	M			
59		Burner – M280C.2025 SM	1			BI1733 103	B			
59 A		Burner – M280C.2530 SM, M280C.3035 SM	1			BI1733 108	B			
60		Air-gas gasket	1			BI1733 104	M			
61		Flange burner goup – M280C.2025 SM	1			BI1733 105	M			
61 A		Flange burner goup – M280C.2530 SM, M280C.3035 SM	1			BI1733 109	M			
62		Electrode gasket	1			BI1733 114	M			
63		Ignition/detection electrode	1			BI1733 106	M			
64		Fan gasket	1			BI1313 111	M			
65		Fan	1			BI1733 117	B	LN2	NG40E 65W D=21 0481215	
66		O-ring gasket 2,62X82,22 NBR	1			BI1733 118	M			
67		Air-box assembly – M280C.2025 SM	1			BI1733 119	M			

CONTINUATION SHEET

Sheet 4 of 5

Appliance number(s) 47-583-58 47-583-59 47-583-60

(a)	(b)	(c)	(d)	(e)	(f)	(g)	(h)	(i)	(j)	(k)
Key no.	GC Part Number	Description	No. Off	Makers part number which have a CG number	Maker's old part number which have since been changed	Maker's new part number which DO NOT have a GC number	M B F	Original Supplier	Original Supplier part number	Retail price excl. VAT
67	A	Air-box assembly – M280C.2530 SM,	1			BI1733 120	M			
		M280C.3035 SM								
68		Air manifold	1			BI1363 100	M			
69		NBR gas joint	1			BI1563 108	M			
70		Gas pipe	1			BI1733 116	M			
71		Gas restrictor NG (natural gas) M280C.2025 SM	1			BI1733 501	M			
71	A	Gas restrictor NG (natural gas) M280C.2530 SM –	1			BI1733 502	M			
		M280C.3035 SM								
71	B	Gas restrictor Propane M280C.2025 SM	1			BI1713 501	M			
71	C	Gas restrictor Propane M280C.2530 SM –	1			BI1713 502	M			
		M280C.3035 SM								
72		Gas valve	1			BI1313 103	B	SIT		0.848.135
73	H08-602	Gas valve on-off operator coils	1	BI1093 107			B	SIT		0.967.158
74	E90-690	Wall mounting plate	1	BI1084 113			M			
75		Pipe 22 mm dia c.h.	2			BI1164 116	M			
76		Pipe 15 mm dia (bent) d.c.w.	1			BI1164 117	M			
77		Pipe 22 mm dia gas	1			BI1164 118	M			
78		Pipe 15 mm dia (bent) d.h.w.	1			BI1164 119	M			
79	E83-136	Tap 3/4" – c.h.	2	BI1084 105			B			
80	E83-137	Tap 1/2" – d.h.w.	2	BI1084 101			B			
81	E83-138	Tap 3/4" – gas	1	BI1084 100			B			
82		Remote control				BI2605 109	M			
83		External temperature probe	1			BI2605 110	M			
84		Electronic p.c.b. box	1			BI2605 100	M			
85		Electronic control – ignition p.c.b.	1			BI2935 100	M			

