



# Spare Parts List

## Basica Cond

M275V.2024 SM 47–583–49

M275V.2428 SM 47–583–50

M275V.2832 SM 47–583–51

M275V.28 SR 41–583–40

### Issue 04/2022

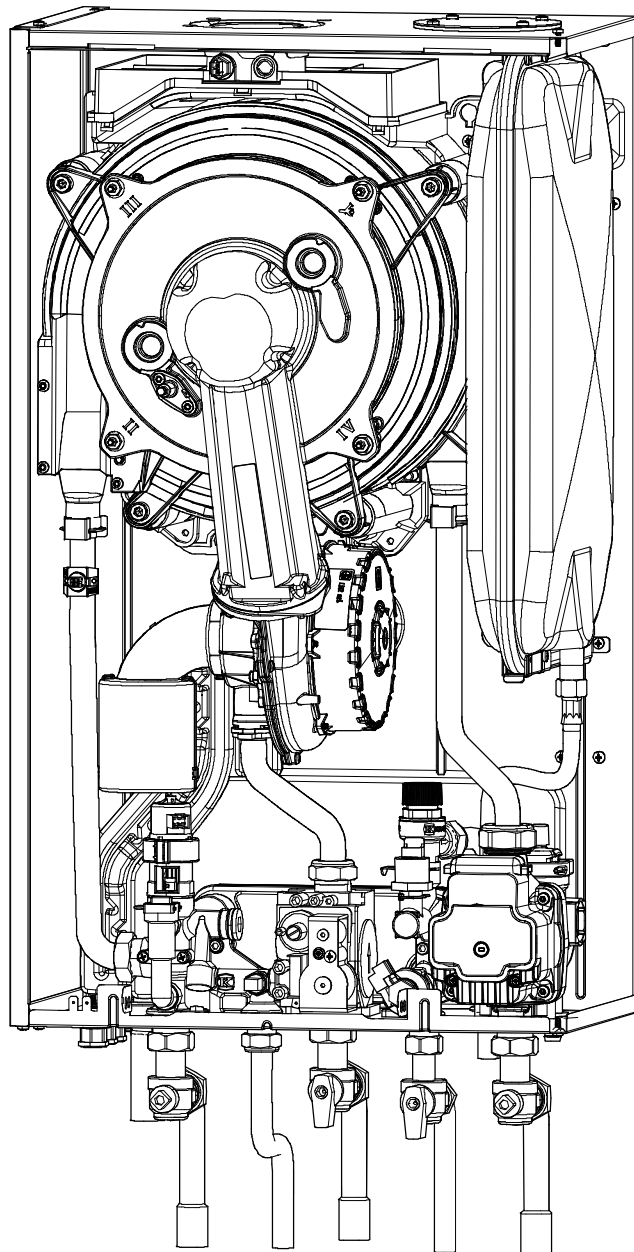
Table description	Issue	n. of pages
Overall view	04/2022	1
C.h. return–flow group and d.h.w. heat exchanger	04/2022	1
C.h. flow and return groups	04/2022	1
Pump and main circuit assembly – combi	04/2022	1
Pump and main circuit assembly – system	04/2022	1
Gas assembly	04/2022	1
Valves and connection pipes combi	04/2022	1
Valves and connection pipes system	04/2022	1
Control panel and ignition device	04/2022	1
Wiring combi	04/2022	1
Wiring system	04/2022	1
Fan, combustion chamber and case panels	04/2022	1
List of parts combi	04/2022	5
List of parts system	04/2022	4

M275V.2024 SM  
M275V.2428 SM  
M275V.2832 SM  
M275V.28 SR

47-583-49  
47-583-50  
47-583-51  
41-583-40

### Overall view

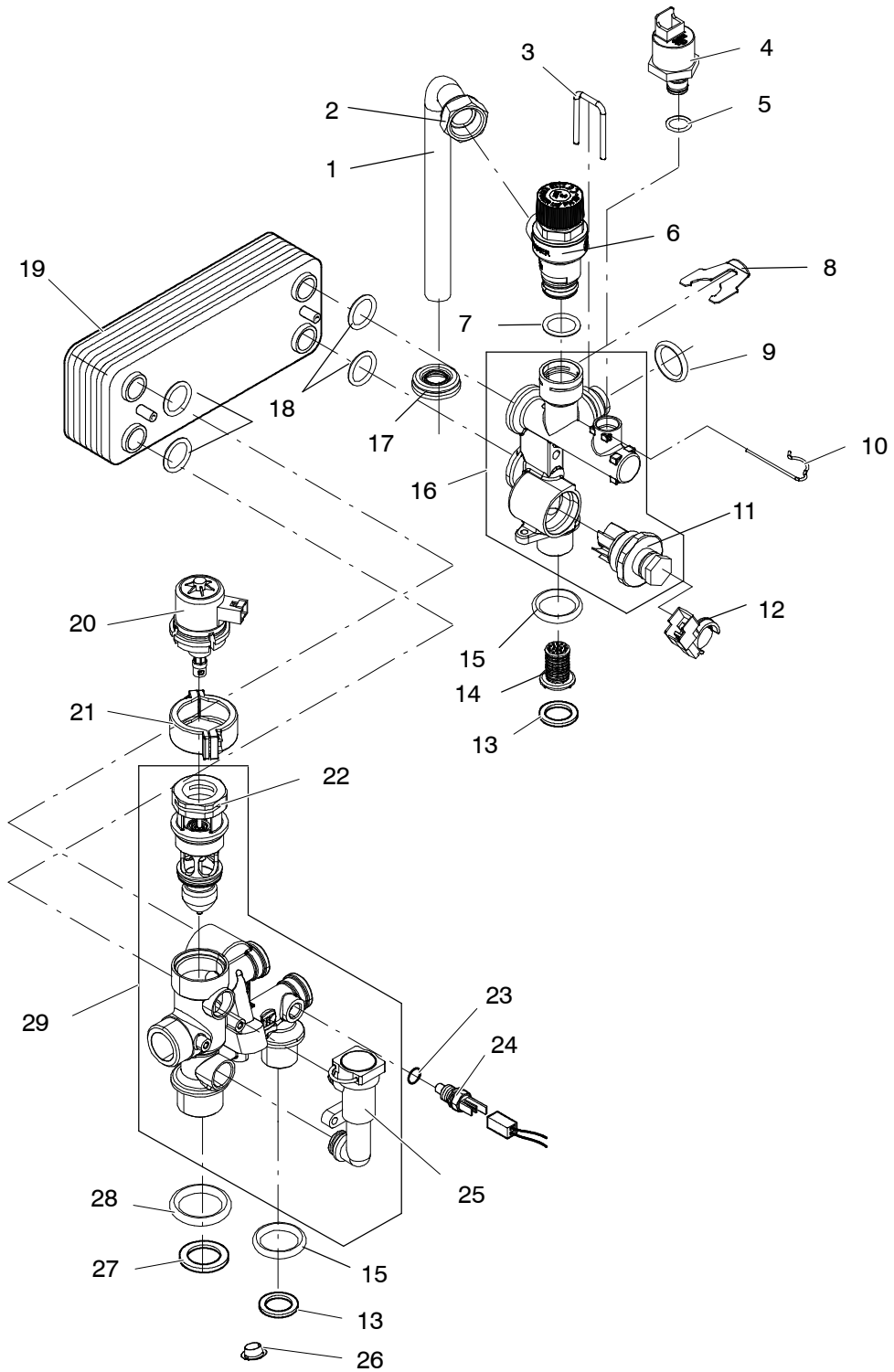
DATA BADGE: inner side of left case panel



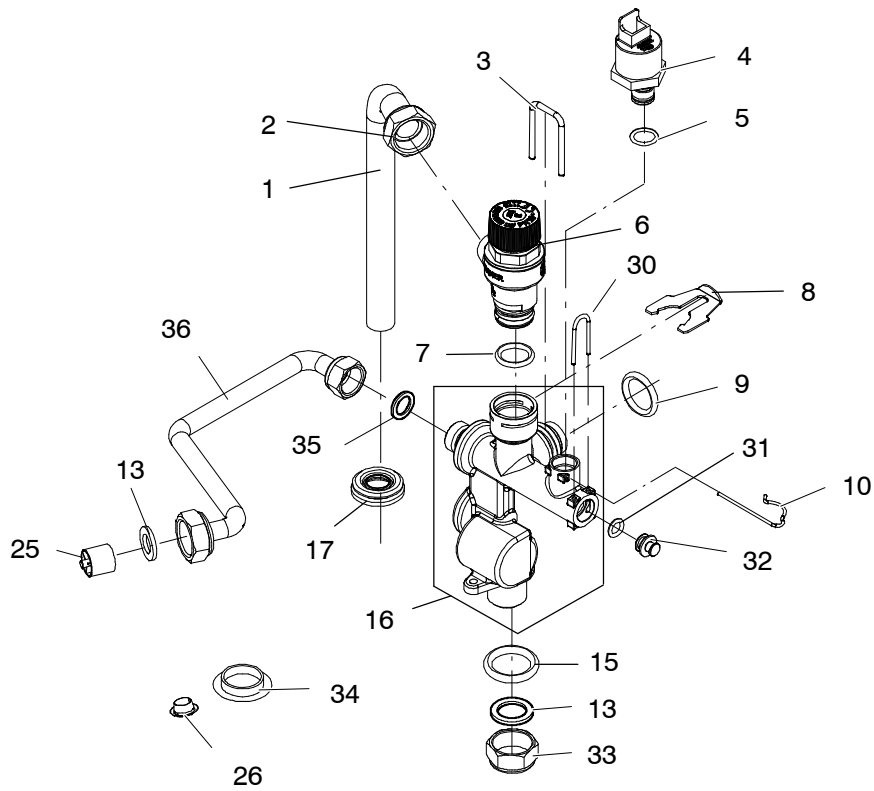
M275V.2024 SM  
M275V.2428 SM  
M275V.2832 SM

47-583-49  
47-583-50  
47-583-51

### C.h. flow-return group and d.h.w. heat exchanger



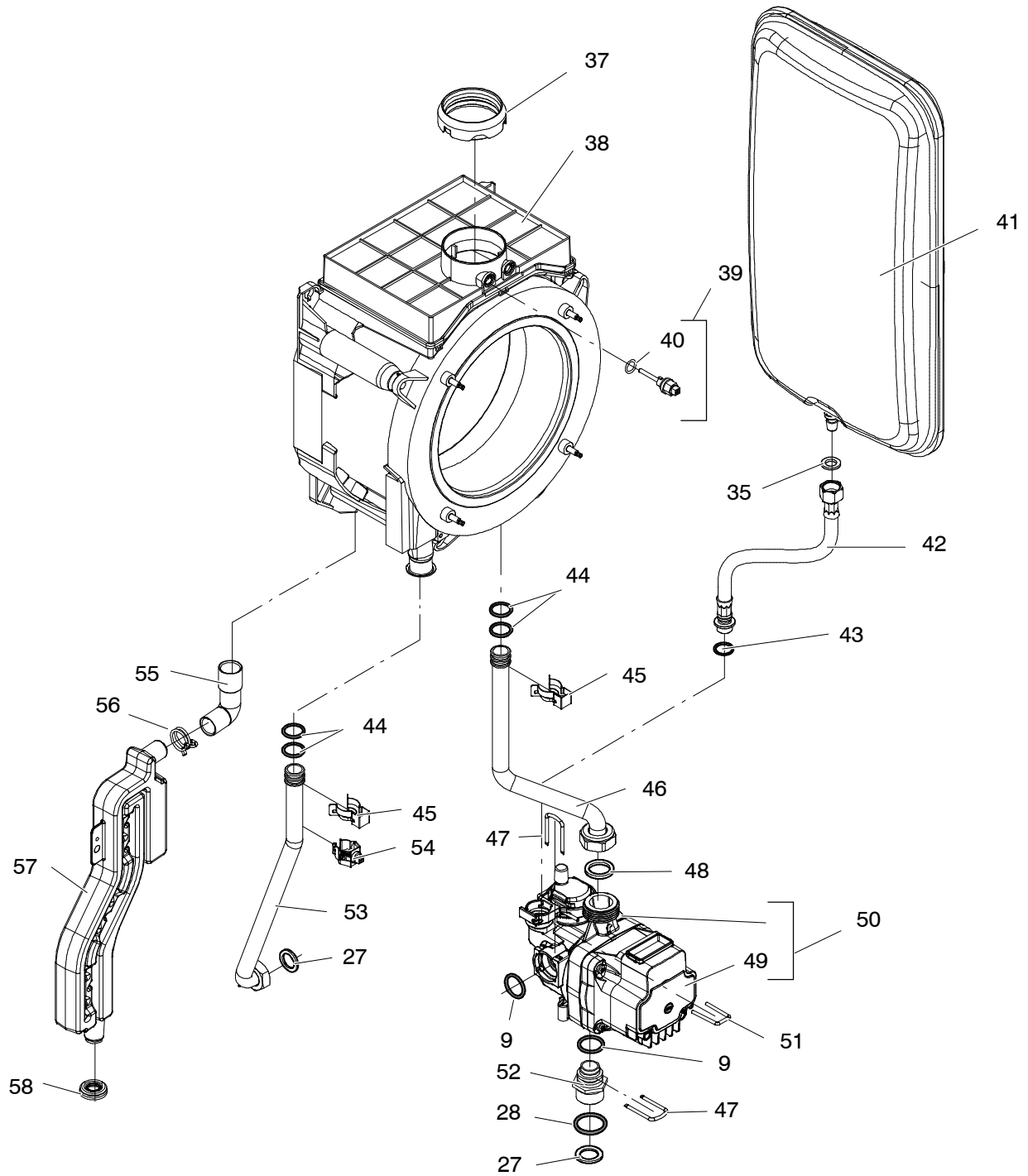
C.h. flow and return groups



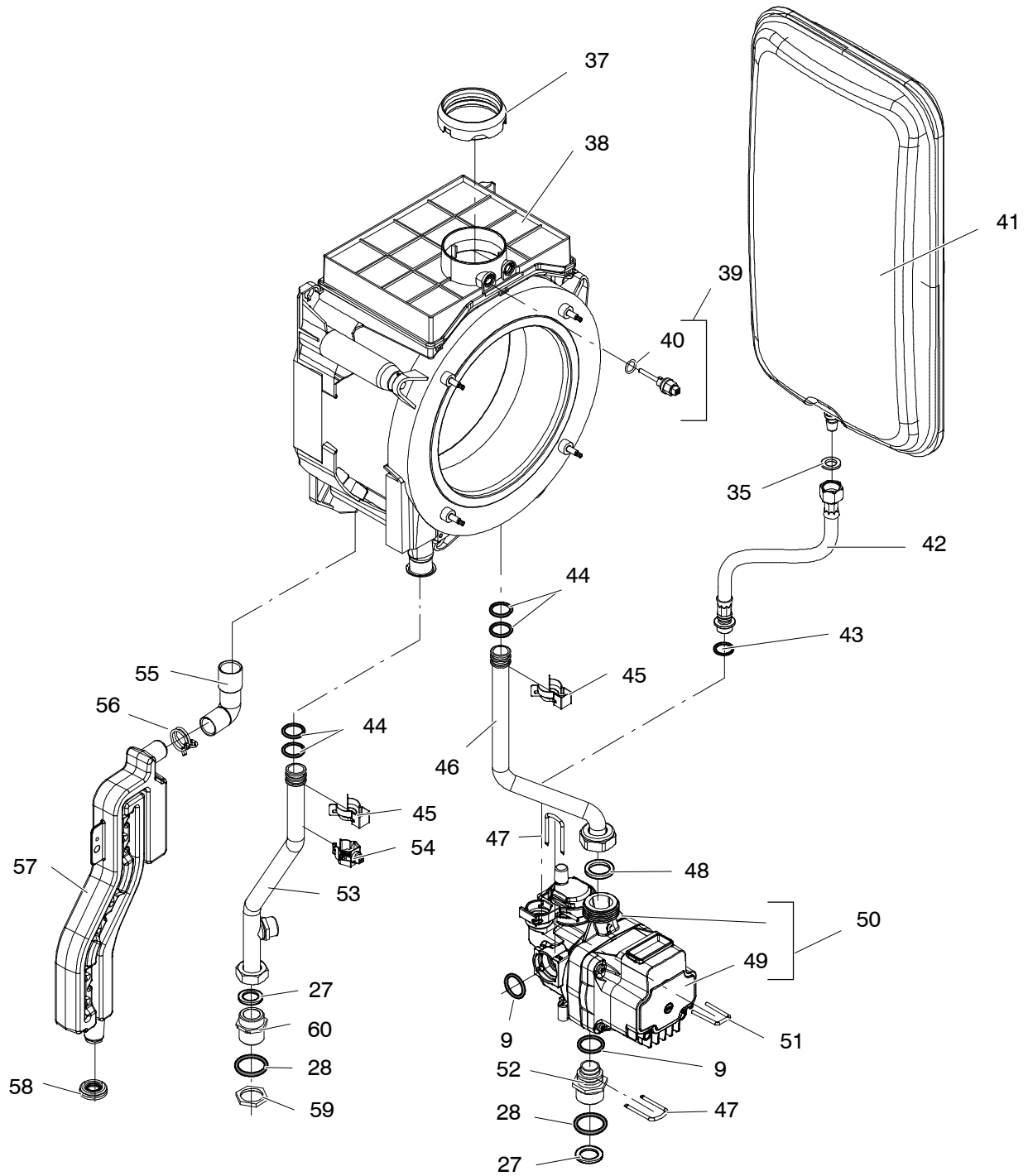
M275V.2024 SM  
M275V.2428 SM  
M275V.2832 SM

47-583-49  
47-583-50  
47-583-51

### Pump and main circuit assembly



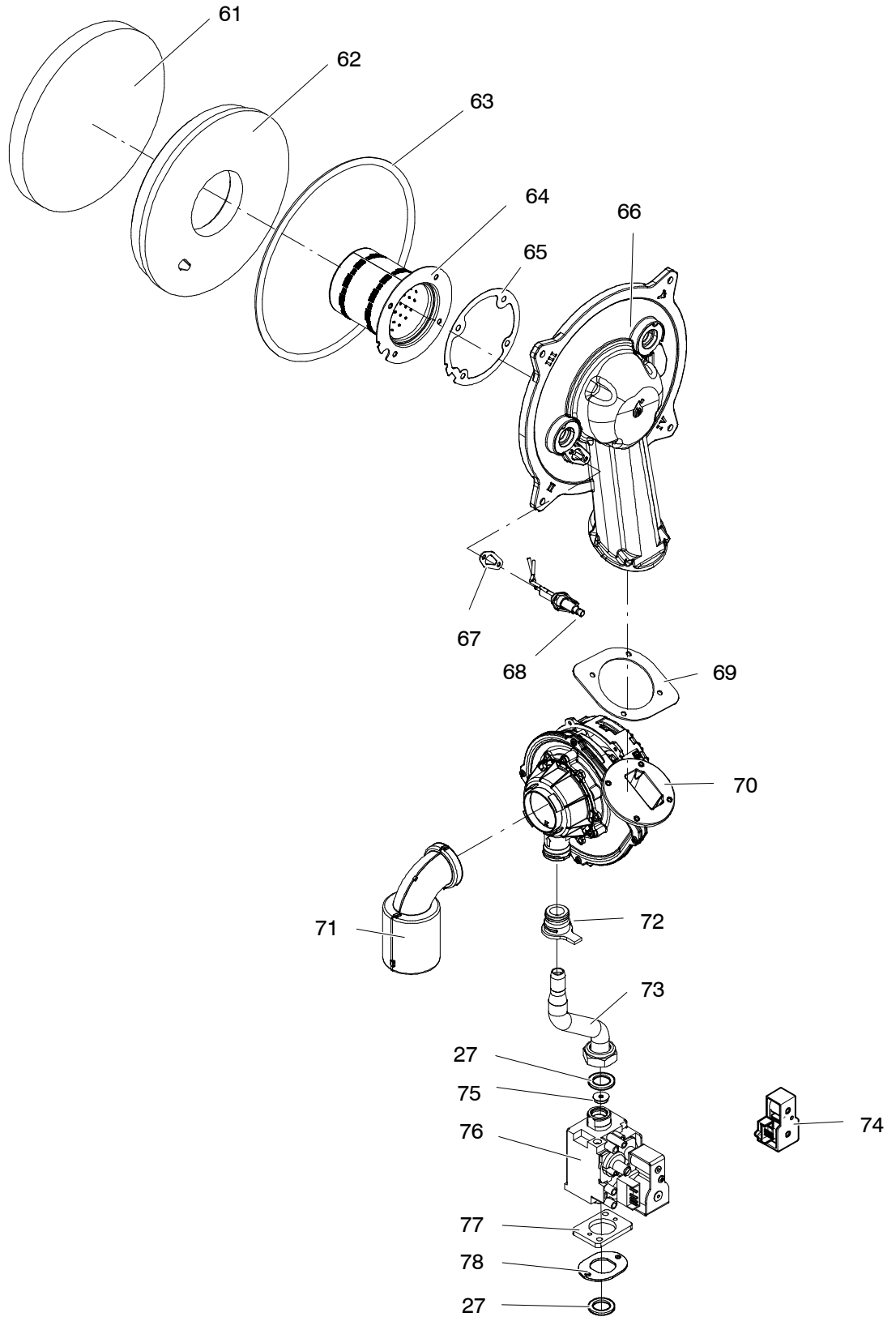
Pump and main circuit assembly



M275V.2024 SM  
M275V.2428 SM  
M275V.2832 SM  
M275V.28 SR

47-583-49  
47-583-50  
47-583-51  
41-583-40

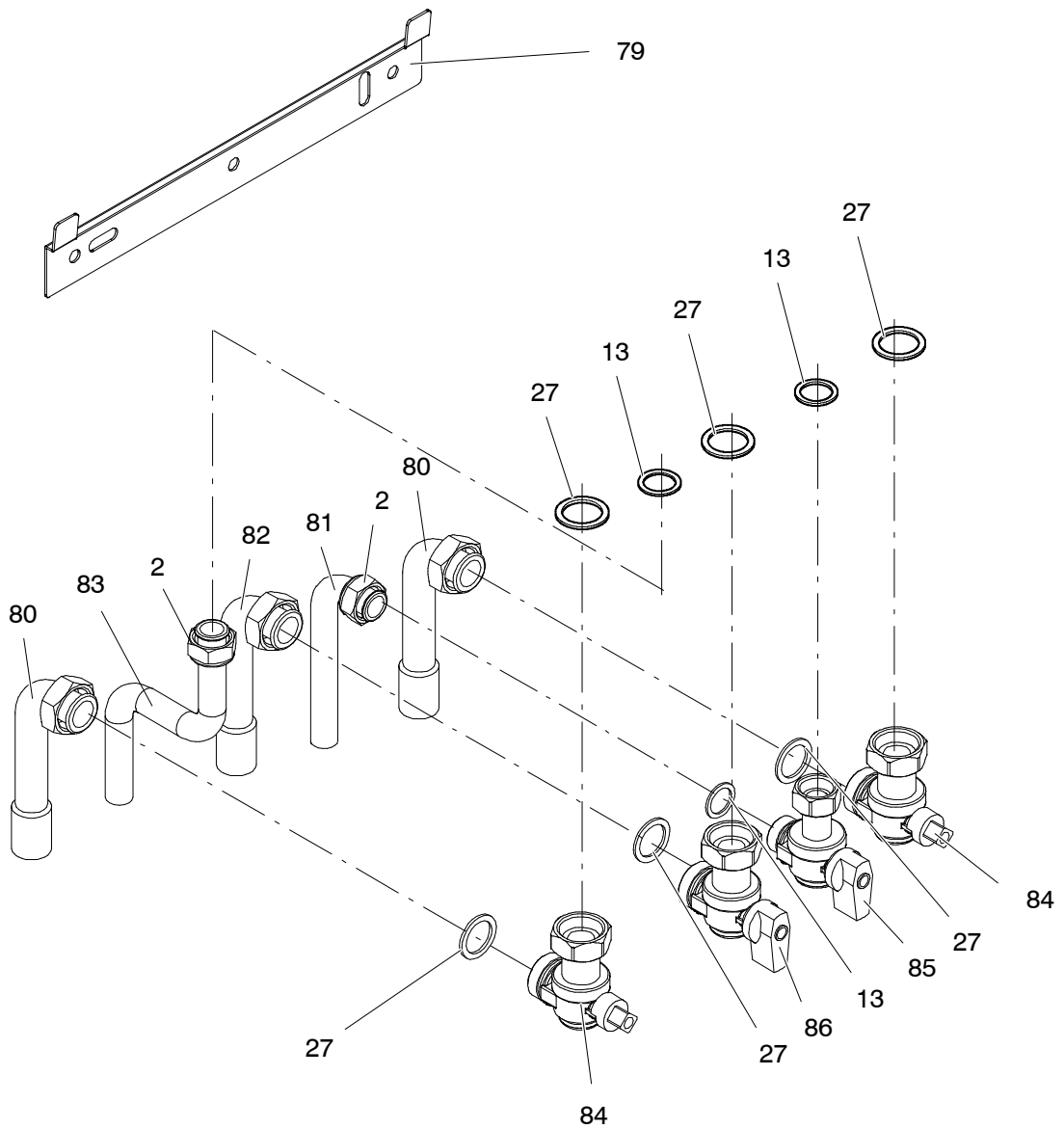
### Gas assembly



M275V.2024 SM  
M275V.2428 SM  
M275V.2832 SM

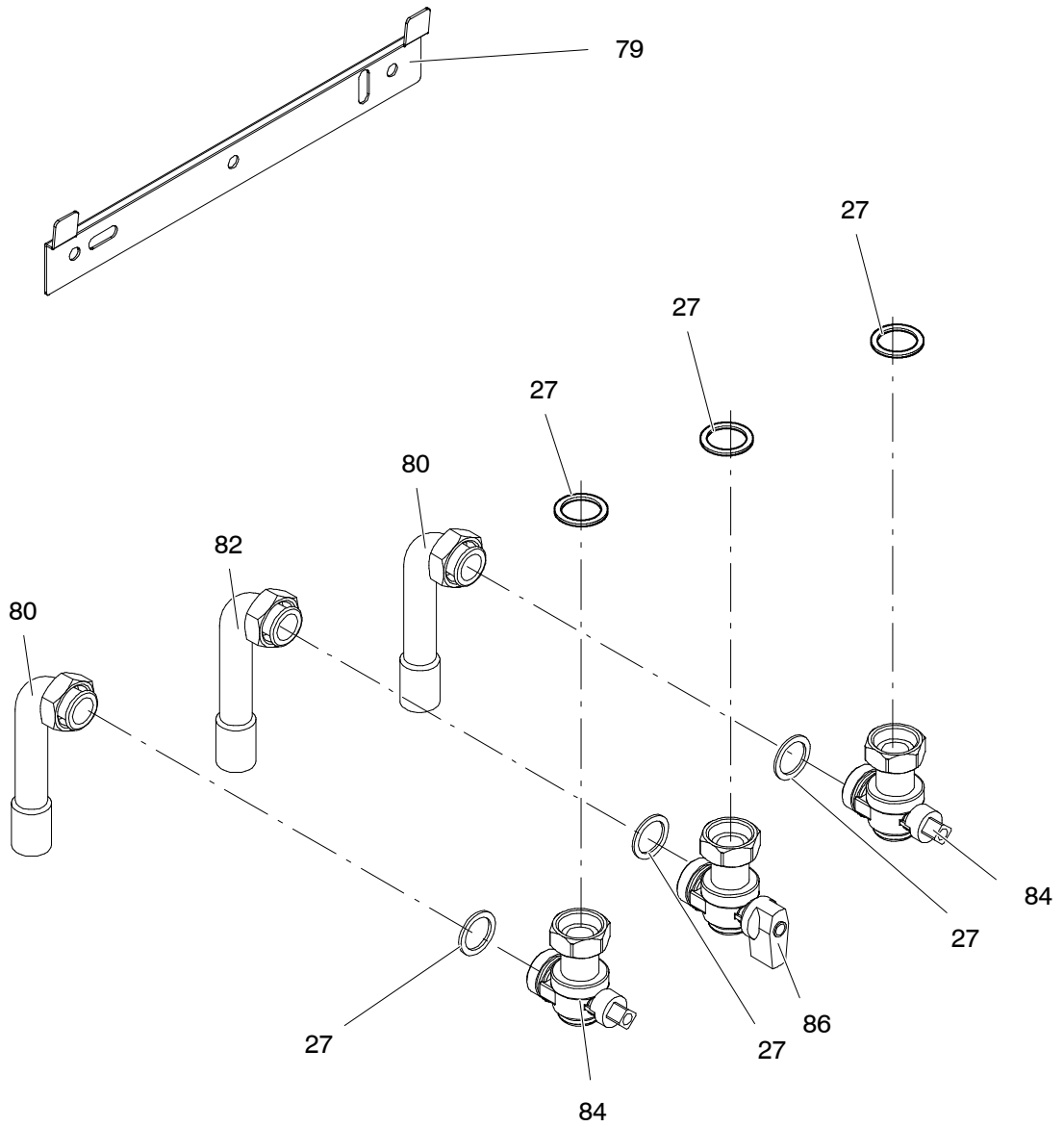
47-583-49  
47-583-50  
47-583-51

### Valves and connection pipes





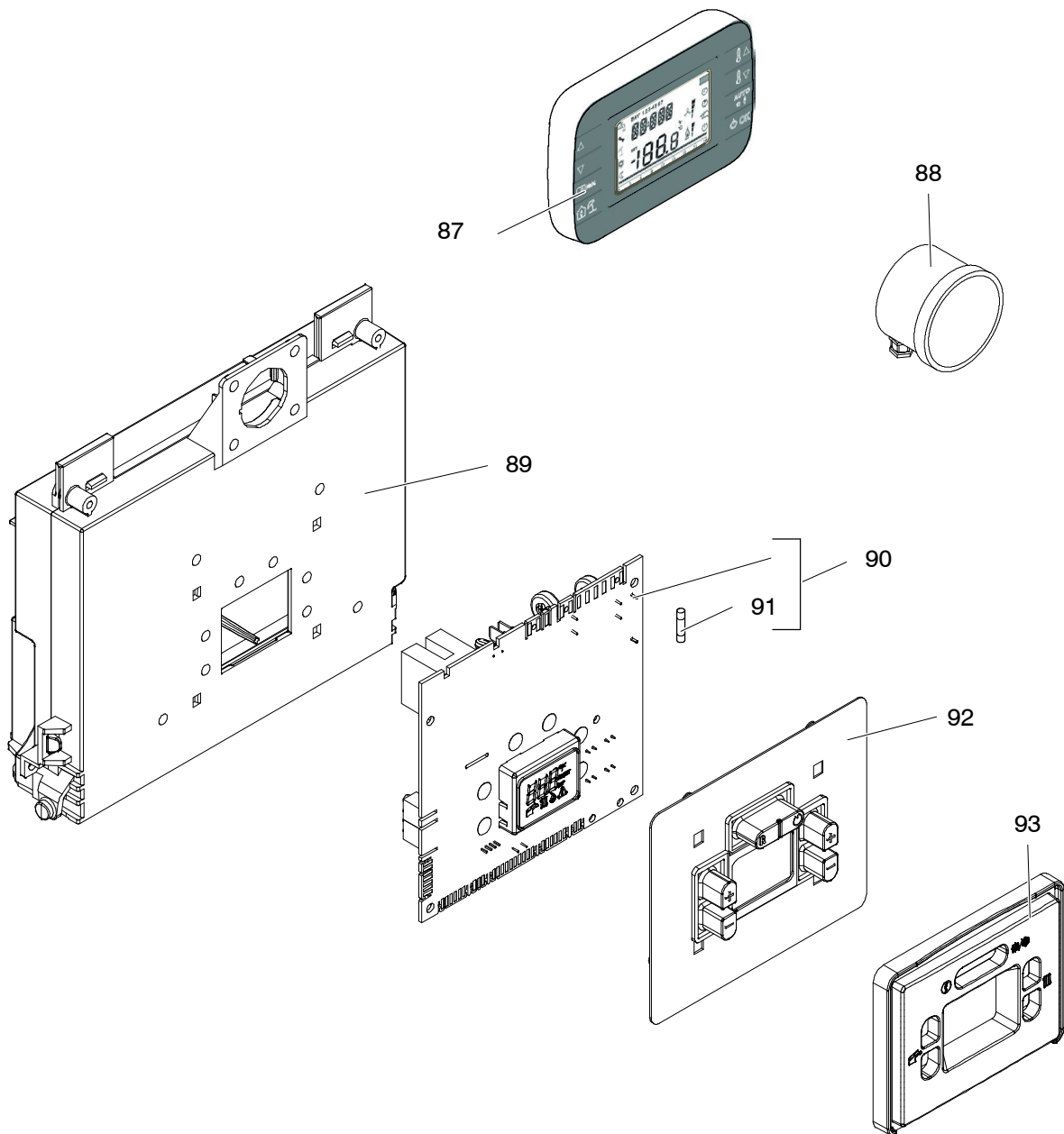
Valves and connection pipes



M275V.2024 SM  
M275V.2428 SM  
M275V.2832 SM  
M275V.28 SR

47-583-49  
47-583-50  
47-583-51  
41-583-40

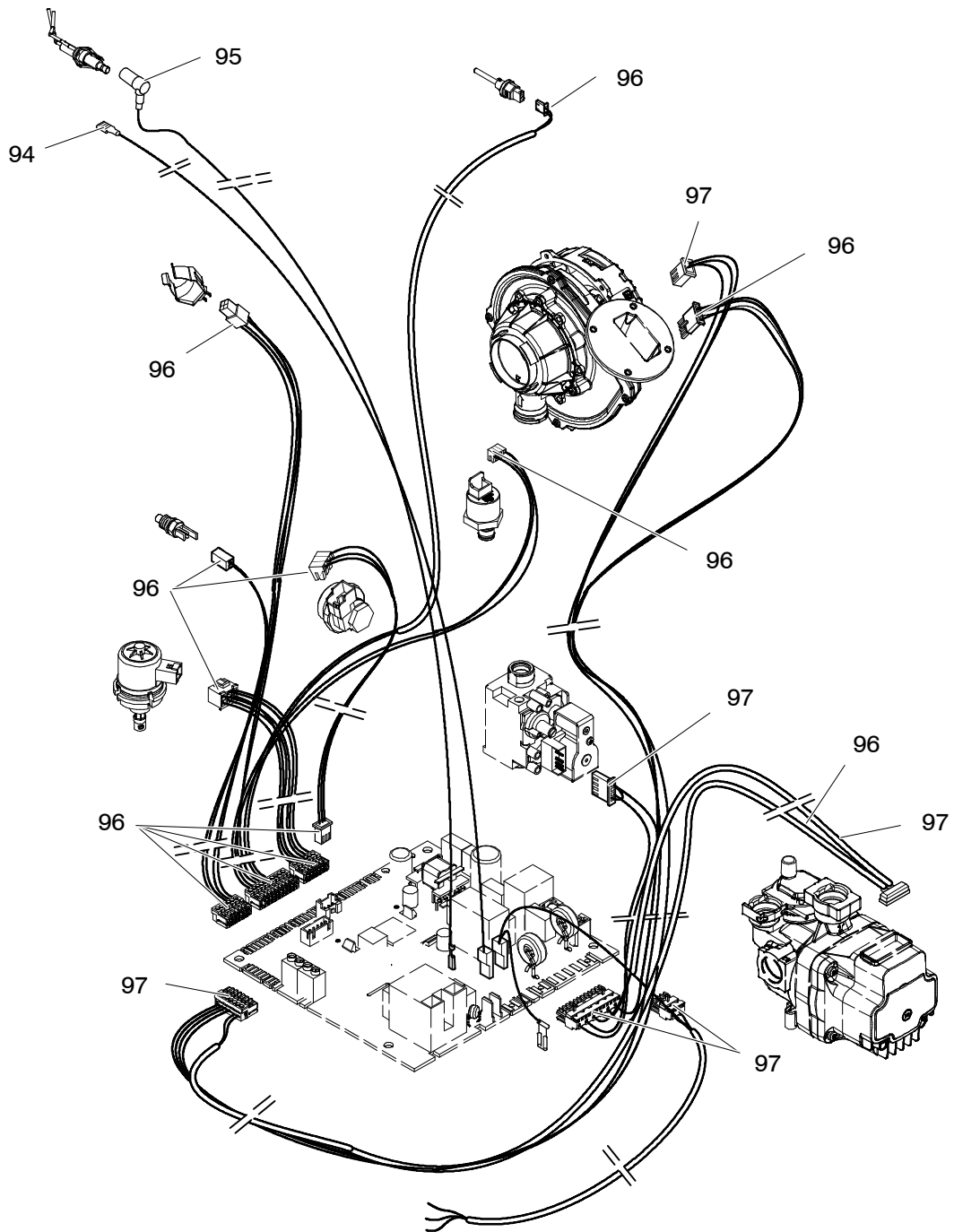
### Control panel and ignition device



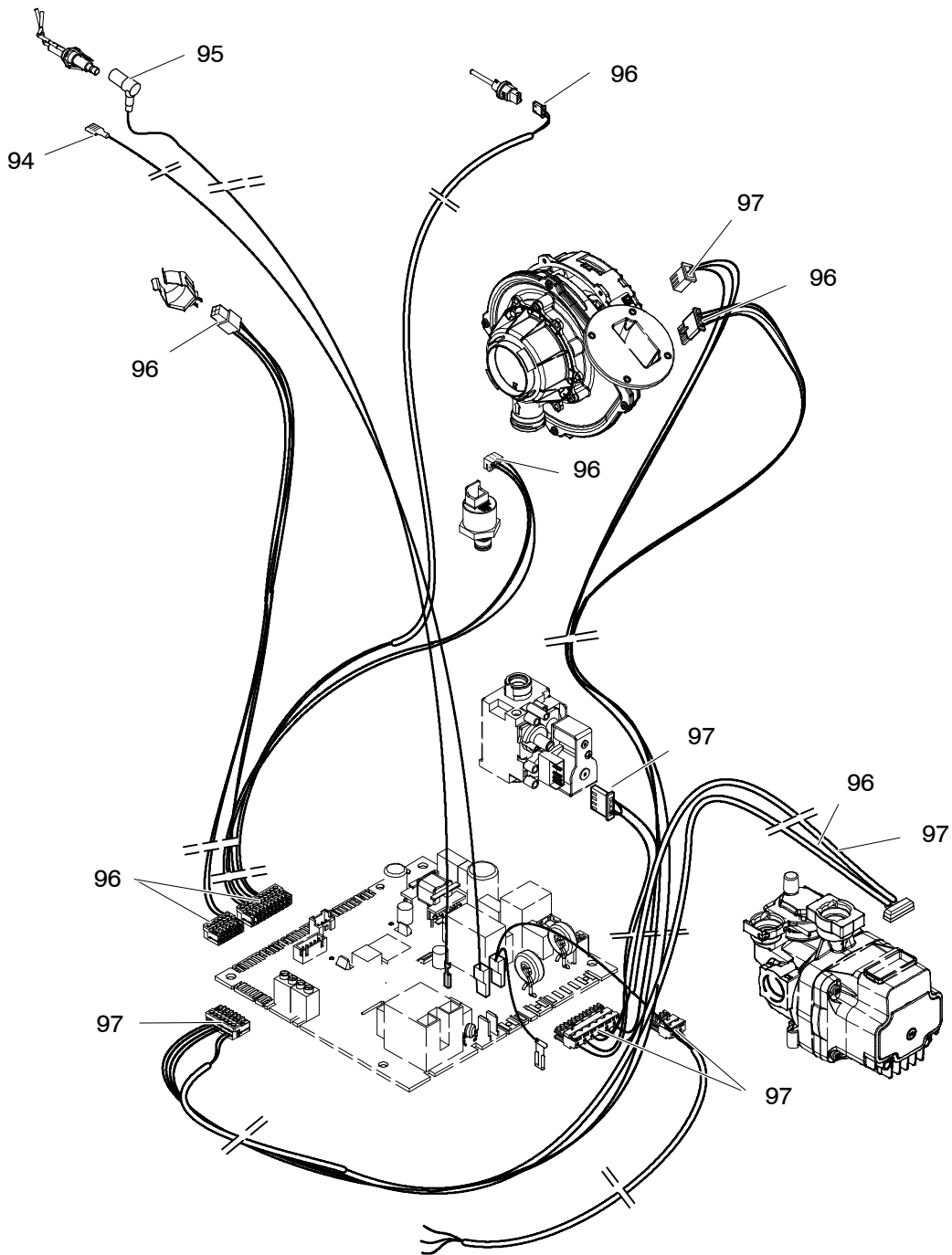
M275V.2024 SM  
M275V.2428 SM  
M275V.2832 SM

47-583-49  
47-583-50  
47-583-51

## Wiring system



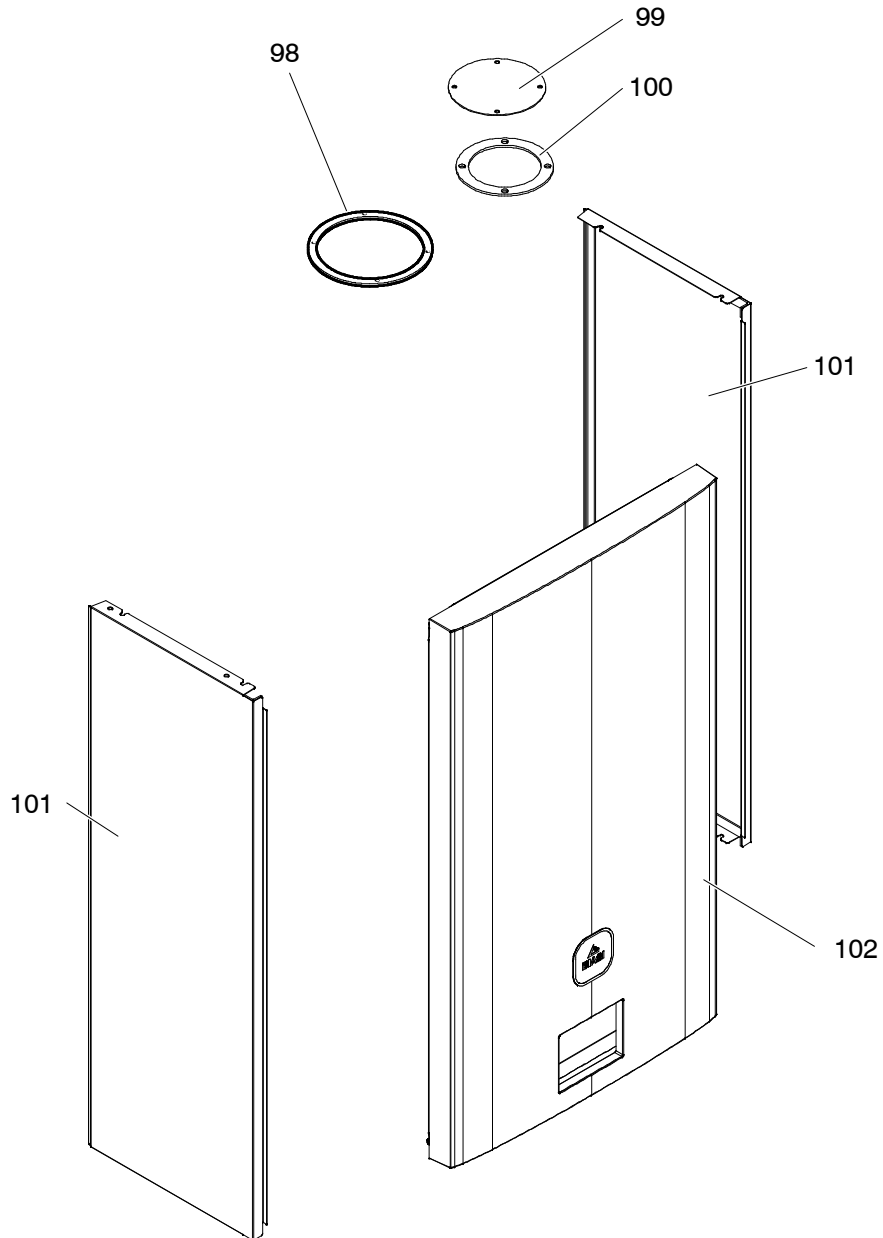
Wiring system



M275V.2024 SM  
M275V.2428 SM  
M275V.2832 SM  
M275V.28 SR

47-583-49  
47-583-50  
47-583-51  
41-583-40

### Sealed chamber and case panels



# DRAFT BRITISH GAS PART LIST

Date \_\_\_\_\_  
 Sheet  1  of  5   
 Manufacturer  Biasi SpA – Italy   
 Appliance(s)  M275V.2024 SM M275V.2428 SM M275V.2832 SM   
 GC Appliance Number(s)  47–583–49 47–583–50 47–583–51   
 Contract Name \_\_\_\_\_  
 Telephone Number \_\_\_\_\_

(a)	(b)	(c)	(d)	(e)	(f)	(g)	(h)	(i)	(j)	(k)
Key no.	GC Part Number	Description	No. Off	Makers part number which have a CG number	Maker's old part number which have since been changed	Maker's new part number which DO NOT have a GC number	M B F	Original Supplier	Original Supplier part number	Retail price excl. VAT
		Position of data badge: frame, inner lower side								
		Instructions booklets set	1			BI1913 554	M			
1		Safety valve connection pipe	1			BI1801 100	M			
2	E01–226	Nut 1/2"	1	BI1004 101			M			
3		Fork P21,5	1			BI1621 100	M			
4		Primary circuit pressure switch	1			BI1592 115	M			
5	H74–540	O–ring gasket 1,90x8,90	1	BI1351 113			M			
6		Safety valve 3 bar	1			BI1621 101	B		3 bar	
7		O–ring gasket 2,62x15,88	1			KI1042 110	M			
8	H20–987	Safety valve connection fork	1	BI1262 116			M			
9		O–ring gasket 3,53x18,64	2			BI1621 102	M			
10		Fork	1			BI1592 113	M			
11		Magnetic flow switch	1			BI1621 104	M			
12		D.h.w. flow switch	1			BI1621 112				
13	169–141	Flat gasket 1/2"	3	BI1001 106			M			
14		Filter	1			BI1621 111	M			
15		O–ring gasket 2,62x17.86	2			KI1042 118	M			
16		Return group kit – M275V.2024 SM	1			BI1801 112	M			
16 A		Return group kit – M275V.2428 SM, M275V.2832 SM	1			BI1801 101	M			
17		Grommet	2			BI1301 109	M			
18	169–060	O–ring gasket 18,64x3,53	4	KI1043 144			M			
19	H22–543	Exchanger DHW – M275V.2024 SM	1	BI1181 122			M			
19 A	E01–205	Exchanger DHW – M275V.2428 SM, M275V.2832 SM	1	BI1001 102			M			
20		Diverter valve actuator	1			BI1621 105	M			
21		Diverter valve actuator fixing clamp	1			BI1621 106	M			

# CONTINUATION SHEET

Sheet 2 of 5

Appliance number(s) 47-583-49 47-583-50 47-583-51

(a)	(b)	(c)	(d)	(e)	(f)	(g)	(h)	(i)	(j)	(k)
Key no.	GC Part Number	Description	No. Off	Makers part number which have a CG number	Maker's old part number which have since been changed	Maker's new part number which DO NOT have a GC number	M B F	Original Supplier	Original Supplier part number	Retail price excl. VAT
22		Diverter valve kit	1			BI1621 107	M			
23	169-102	O-ring gasket 1,9x5,7	1	KI1042 102			M			
24	169-016	Temperature probe NTC d.h.w.	1	KI1042 501			M			
25		By-pass kit	1			BI1621 109	M			
26		Plug	1			BI1801 108	M			
27	169-033	Flat gasket 3/4"	7	BI1001 108			M			
28		O-ring gasket 2,62X25,07	2			BI1801 107	M			
29		Flow group kit c.h.	1			BI1801 111	M			
35	H03-727	Flat gasket 3/8" O.D 15 mm, i.d. 8.5 mm	2	BI1202 105			M			
37	H74-575	Flue outlet gasket	1	BI1536 101			M			
38		Condensing heat exchanger – M275V.2024 SM, M275V.2428 SM	1			BI2002 100	M			
38 A		Condensing heat exchanger – M275V.2832 SM	1			BI2112 118	M			
39		Safety thermal fuse	1			BI1772 101	M			
40	H50-475	O-ring gasket 1,78x10,82	1	BI1181 110			M			
41		Expansion vessel	1			BI1462 100	B	Zilmet – Italy	13S0000706	
42		Expansion vessel connection pipe	1			BI2112 101	M			
43		O-ring gasket 3,53X12,29	1			BI1872 111	M			
44	H74-606	O-ring gasket 3x17	4	KI1003 114						
45	E83-108	Condensing heat exchanger connection clip	2	BI1172 101						
46		Condensing heat exchanger inlet pipe	1			BI2112 102	M			
47		Fork	1			BI1621 100	M			
48		Flat gasket 1"	1			BI1001 105	M			
49		Pump (motor)	1			BI2112 103	M			
50		Pump	1			BI2112 104	M	TACO	3GS	

# CONTINUATION SHEET

Sheet 3 of 5

Appliance number(s) 47-583-49 47-583-50 47-583-51

(a)	(b)	(c)	(d)	(e)	(f)	(g)	(h)	(i)	(j)	(k)
Key no.	GC Part Number	Description	No. Off	Makers part number which have a CG number	Maker's old part number which have since been changed	Maker's new part number which DO NOT have a GC number	M B F	Original Supplier	Original Supplier part number	Retail price excl. VAT
51		Expansion vessel connection fork	1			BI1872 104	M			
52		Threaded connection c.h.	1			BI2112 105	M			
53		Condensing heat exchanger outlet pipe- M275V.2024 SM,	1			BI2112 107	M			
		M275V.2428 SM								
53 A		Condensing heat exchanger outlet piper M275V.2832 SM	1			BI2112 119	M			
54		Flow temp. probe and overheat thermostat	1			BI1442 117	M			
55		Condensate discharge pipe	1			BI2112 108	M			
56	H20-972	Connection spring	1	BI1262 117			F			
57		Condensate trap	1			BI1782 107	M			
58	169-104	Grommet	1	BI1002 113			M			
61		Rear combustion chamber insulating panel	1			BI1563 100	M			
62		Front combustion chamber insulating panel	1			BI1663 100	M			
63		Combustion chamber lip gasket	1			BI1663 101	M			
64		Burner	1			BI1563 102	B			
65		Air-gas gasket	1			BI1663 102	M			
66		Flange burner goup	1			BI1663 103	M			
67	H58-678	Electrode gasket	2	BI1293 109			M			
68		Ignition/detection electrode	1			BI1663 106	M			
69		Fan gasket	1			BI1313 111	M			
70		Fan - M275V.2024 SM, M275V.2428 SM	1			BI1713 115	B	LN2-PS NG40M	W940114640	
70 A		Fan - M275V.2832 SM	1			BI1713 116	B	LN2-PS NG40M	W940114650	
71		Air manifold	1			BI1363 100	M			
72		NBR gas joint	1			BI1563 108	M			
73		Gas pipe	1			BI1713 105	M			
74	H08-602	Gas valve on-off operator coils	1	BI1093 107			B	SIT	0.967.158	



# CONTINUATION SHEET

Sheet 4 of 5

Appliance number(s) 47-583-49 47-583-50 47-583-51

(a)	(b)	(c)	(d)	(e)	(f)	(g)	(h)	(i)	(j)	(k)
Key no.	GC Part Number	Description	No. Off	Makers part number which have a CG number	Maker's old part number which have since been changed	Maker's new part number which DO NOT have a GC number	M B F	Original Supplier	Original Supplier part number	Retail price excl. VAT
75		Gas restrictor NG (natural gas) – M275V.2024 SM, M275V.2428 SM	1			BI1563 500	M			
75 A		Gas restrictor NG (natural gas) – M275V.2832 SM	1			BI1593 500	M			
75 B		Gas restrictor Propane – M275V.2024 SM, M275V.2428 SM	1			BI1573 503	M			
75 C		Gas restrictor Propane – M275V.2832 SM	1			BI1563 503	M			
76		Gas valve	1			BI1313 103	B	SIT	0.848.135	
77		Gas valve spacer	1			BI1713 117	M			
78		Gas valve gasket	1			BI1713 108	M			
79	E90-690	Wall mounting plate	1	BI1084 113			M			
80		Pipe 22 mm dia c.h.	2			BI1164 102	M			
81		Pipe 15 mm dia (bent) d.c.w.	1			BI1164 101	M			
82		Pipe 22 mm dia gas	1			BI1164 112	M			
83		Pipe 15 mm dia (bent) d.h.w.	1			BI1164 111	M			
84	E83-136	Tap 3/4" – c.h.	2	BI1084 105			B			
85	E83-137	Tap 1/2" – d.h.w.	2	BI1084 101			B			
86	E83-138	Tap 3/4" – gas	1	BI1084 100			B			
87		Remote control				BI2605 109	M			
88		External temperature probe	1			BI2605 110	M			
89		Electronic p.c.b. box	1			BI2605 100	M			
90		Electronic control – ignition p.c.b.	1			BI2605 113	M			
91		Fuse 3,15 T 250VAC 5x20	1			BI2145 106	B			
92		Keyboard	1			BI2605 102	M			
93		Control panel lid	1			BI2605 103	M			
94		Ignition/detection electrode earth cable	1			BI2685 114	M			
95		Ignition/detection electrode cable	1			BI2685 113	M			



# DRAFT BRITISH GAS PART LIST

Date \_\_\_\_\_  
 Sheet 1 of 4  
 Manufacturer Biasi SpA – Italy  
 Appliance(s) M275V.28 SR  
 GC Appliance Number(s) 41–583–40  
 Contract Name \_\_\_\_\_  
 Telephone Number \_\_\_\_\_

(a)	(b)	(c)	(d)	(e)	(f)	(g)	(h)	(i)	(j)	(k)
Key no.	GC Part Number	Description	No. Off	Makers part number which have a CG number	Maker's old part number which have since been changed	Maker's new part number which DO NOT have a GC number	M B F	Original Supplier	Original Supplier part number	Retail price excl. VAT
		Position of data badge: frame, inner lower side								
		Instructions booklets set	1			BI1913 553	M			
1		Safety valve connection pipe	1			BI1801 100	M			
2	E01–226	Nut 1/2"	1	BI1004 101			M			
3		Fork P21,5	1			BI1621 100	M			
4		Primary circuit pressure switch	1			BI1592 115	M			
5	H74–540	O–ring gasket 1,90x8,90	1	BI1351 113			M			
6		Safety valve 3 bar	1			BI1621 101	B		3 bar	
7		O–ring gasket 2,62x15,88	1			KI1042 110	M			
8	H20–987	Safety valve connection fork	1	BI1262 116			M			
9		O–ring gasket 3,53x18,64	2			BI1621 102	M			
10		Fork	1			BI1592 113	M			
13	169–141	Flat gasket 1/2"	3	BI1001 106			M			
15		O–ring gasket 2,62x17,86	2			KI1042 118	M			
16		Return group kit	1			BI1831 100	M			
17		Grommet	2			BI1301 109	M			
25		By–pass kit	1			BI1831 107	M			
26		Plug	1			BI1801 108	M			
27	169–033	Flat gasket 3/4"	7	BI1001 108			M			
28		O–ring gasket 2,62X25,07	2			BI1801 107	M			
30		Fork P.10,5	1			BI1181 107	M			
31	E83–144	O–ring gasket 1,78 x 6,75	1	BI1475 119			M			
32		Return group plug	1			BI1512 109	M			
33		Plug 1/2"	1			BI1062 107	M			
34		Plug	1			BI1831 109	M			

# CONTINUATION SHEET

Sheet 2 of 4

Appliance number(s) 41-583-40

(a)	(b)	(c)	(d)	(e)	(f)	(g)	(h)	(i)	(j)	(k)
Key no.	GC Part Number	Description	No. Off	Makers part number which have a CG number	Maker's old part number which have since been changed	Maker's new part number which DO NOT have a GC number	M B F	Original Supplier	Original Supplier part number	Retail price excl. VAT
35	H03-727	Flat gasket 3/8" O.D 15 mm, i.d. 8.5 mm	2	BI1202 105			M			
36		By-pass pipe	1			BI1831 108	M			
37	H74-575	Flue outlet gasket	1	BI1536 101			M			
38		Condensing heat exchanger - M275V.28 SR	1			BI2112 118	M			
39		Safety thermal fuse	1			BI1772 101	M			
40	H50-475	O-ring gasket 1,78x10,82	1	BI1181 110			M			
41		Expansion vessel	1			BI1462 100	B	Zilmet - Italy	13S0000706	
42		Expansion vessel connection pipe	1			BI2112 101	M			
43		O-ring gasket 3,53X12,29	1			BI1872 111	M			
44	H74-606	O-ring gasket 3x17	4	KI1003 114						
45	E83-108	Condensing heat exchanger connection clip	2	BI1172 101						
46		Condensing heat exchanger inlet pipe	1			BI2112 102	M			
47		Fork	1			BI1621 100	M			
48		Flat gasket 1"	1			BI1001 105	M			
49		Pump (motor)	1			BI2112 103	M			
50		Pump	1			BI2112 104	M	TACO	3GS	
51		Expansion vessel connection fork	1			BI1872 104	M			
52		Threaded connection c.h.	1			BI2112 105	M			
53		Condensing heat exchanger outlet piper M275V.28 SR	1			BI2112 120	M			
54		Flow temp. probe and overheat thermostat	1			BI1442 117	M			
55		Condensate discharge pipe	1			BI2112 108	M			
56	H20-972	Connection spring	1	BI1262 117			F			
57		Condensate trap	1			BI1782 107	M			
58	169-104	Grommet	1	BI1002 113			M			
59		Lock-nut	1			KI1005 106	M			

# CONTINUATION SHEET

Sheet 3 of 4

Appliance number(s) 41-583-40

(a)	(b)	(c)	(d)	(e)	(f)	(g)	(h)	(i)	(j)	(k)
Key no.	GC Part Number	Description	No. Off	Makers part number which have a CG number	Maker's old part number which have since been changed	Maker's new part number which DO NOT have a GC number	M B F	Original Supplier	Original Supplier part number	Retail price excl. VAT
60		Threaded connection c.h.	1			BI2112 109	M			
61		Rear combustion chamber insulating panel	1			BI1563 100	M			
62		Front combustion chamber insulating panel	1			BI1663 100	M			
63		Combustion chamber lip gasket	1			BI1663 101	M			
64		Burner	1			BI1563 102	B			
65		Air-gas gasket	1			BI1663 102	M			
66		Flange burner goup	1			BI1663 103	M			
67	H58-678	Electrode gasket	2	BI1293 109			M			
68		Ignition/detection electrode	1			BI1663 106	M			
69		Fan gasket	1			BI1313 111	M			
70		Fan - M275V.28 SR	1			BI1713 116	B	LN2-PS NG40M	W940114650	
71		Air manifold	1			BI1363 100	M			
72		NBR gas joint	1			BI1563 108	M			
73		Gas pipe	1			BI1713 105	M			
74	H08-602	Gas valve on-off operator coils	1	BI1093 107			B	SIT	0.967.158	
75		Gas restrictor NG (natural gas) - M275V.28 SR	1			BI1593 500	M			
75 A		Gas restrictor Propane - M275V.28 SR	1			BI1563 503	M			
76		Gas valve	1			BI1313 103	B	SIT	0.848.135	
77		Gas valve spacer	1			BI1713 117	M			
78		Gas valve gasket	1			BI1713 108	M			
79	E90-690	Wall mounting plate	1	BI1084 113			M			
80		Pipe 22 mm dia c.h.	2			BI1164 102	M			
82		Pipe 22 mm dia gas	1			BI1164 112	M			
84	E83-136	Tap 3/4" - c.h.	2	BI1084 105			B			
86	E83-138	Tap 3/4" - gas	1	BI1084 100			B			

